

FIAlyzer-FLEX

The FIAlyzer-flex is a flow injection analyzer designed and optimized for low-level colorimetric assays. The analyzer combines many of the popular elements of our FIAlyzer-1000 series with new elements, resulting in:

1. Lower detection limits
2. Wider range of assays
3. Quicker switching between assays



We know that, especially for environmental analyses, being able to measure very low concentrations is a key aspect of any piece of laboratory equipment. That is why we have combined a high-performance spectrometer, a high-precision pump and heater, and optimized fluidic arrangements to offer detection limits in the *fractions of parts per billion*.

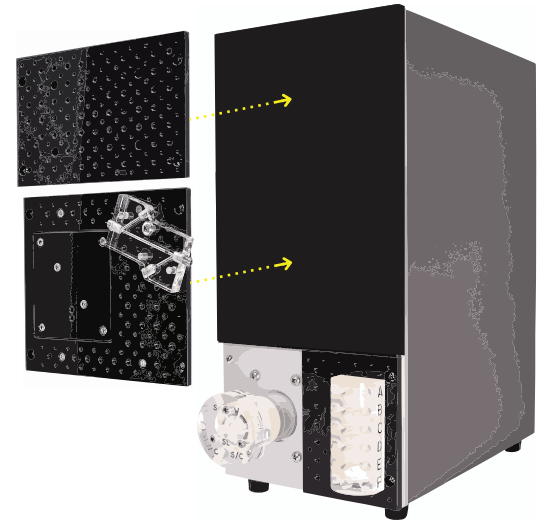
Ismatec IP High Precision Multichannel Pump



Many assays require a large number of fluidic channels to combine reagents, carrier, sample, or buffers. That is why the FIAlyzer-FLEX comes with a 24-channel, high-precision peristaltic pump. The pump provides a range of flow rates and number of channels suitable to any colorimetric assay. Plus, each channel has an individual pump clamp, allowing for the use of varying sizes of tubing

Assay Panels for Flexibility

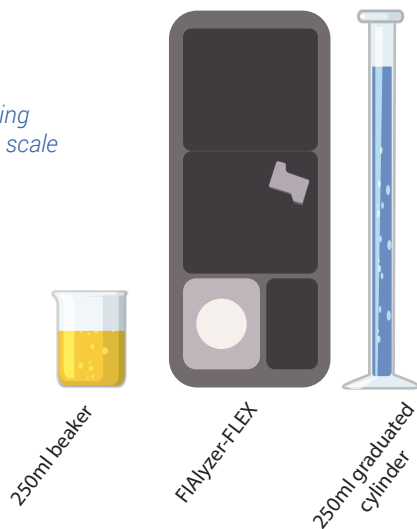
Another important aspect of an analyzer is its flexibility. This analyzer's name speaks for itself. The FIAlyzer-FLEX is designed using assay "plates", which allow an instrument to be quickly switched from one assay to another. If instead it works better to have a dedicated channel for each analysis, it is a simple matter to chain multiple channels together. This allows for the simultaneous measurement of up to four assays at a time off of the same set of samples.



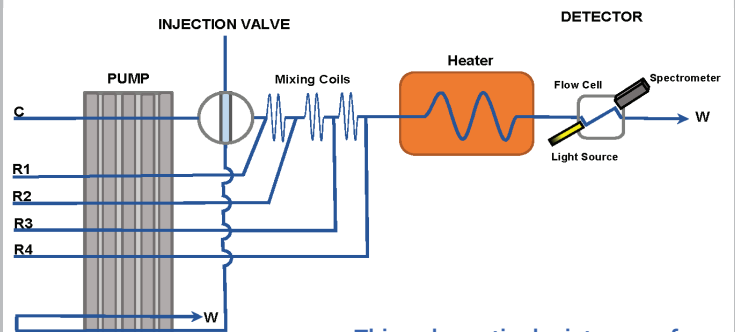
Minimal Footprint

In many labs, bench space is an issue. At just six inches wide, the FIAlyzer-FLEX is designed vertically to minimize the amount of room required while still allowing easy access to all the critical components.

Drawing made to scale



Example Application: Phosphate Fluidics



Fluid Key:

- C** Carrier
- R** Reagent
- Regular Flow
- W** Waste (disposal)
- ⓘ** Valve with sample loop

This schematic depicts one of the many fluidic arrangements for this analyzer. This particular setup utilizes 6 fluidic lines and a heater to analyze phosphate concentrations as low as **300 parts per trillion (ppt)**.

Consistency

With all of the above, we kept many of the popular elements from our FIAlyzer-1000 series. The instrument is still designed with robustness and user-friendliness in mind. All parts are user accessible and, when possible, transparent to aid maintenance efforts. And of course, these instruments run off of our state-of-the-art software, FIAsoft.

For more information...



1-206-258-2290

sales@flowinjection.com

www.flowinjection.com

FIAlab

Leaders in Flow Injection Technology